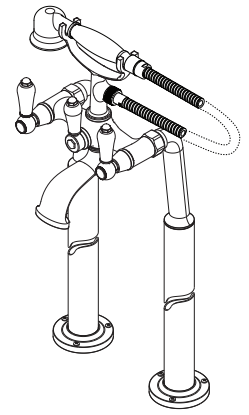


## Traditional Tub Filler



- LG6-1TFC Finish(C)
- LG6-1TFD Finish(D)
- LG6-1TFK Finish(K)
- LG6-1TFY Finish(Y)

## Specifications

### Features

- 1.8 GPM Flow Rate (Handheld)
- 9 GPM @ 45 PSI Flow Rate
- All Metal Construction
- Ceramic Disc Cartridges
- No Rough-In Required
- Requires 1/2" Inlet Supply Lines (24" Minimum)
- Optional Wall Support 931-134\* Available (Order Separately)
- Volume and Temperature Control
- Limited Lifetime Warranty

- All Metal Construction

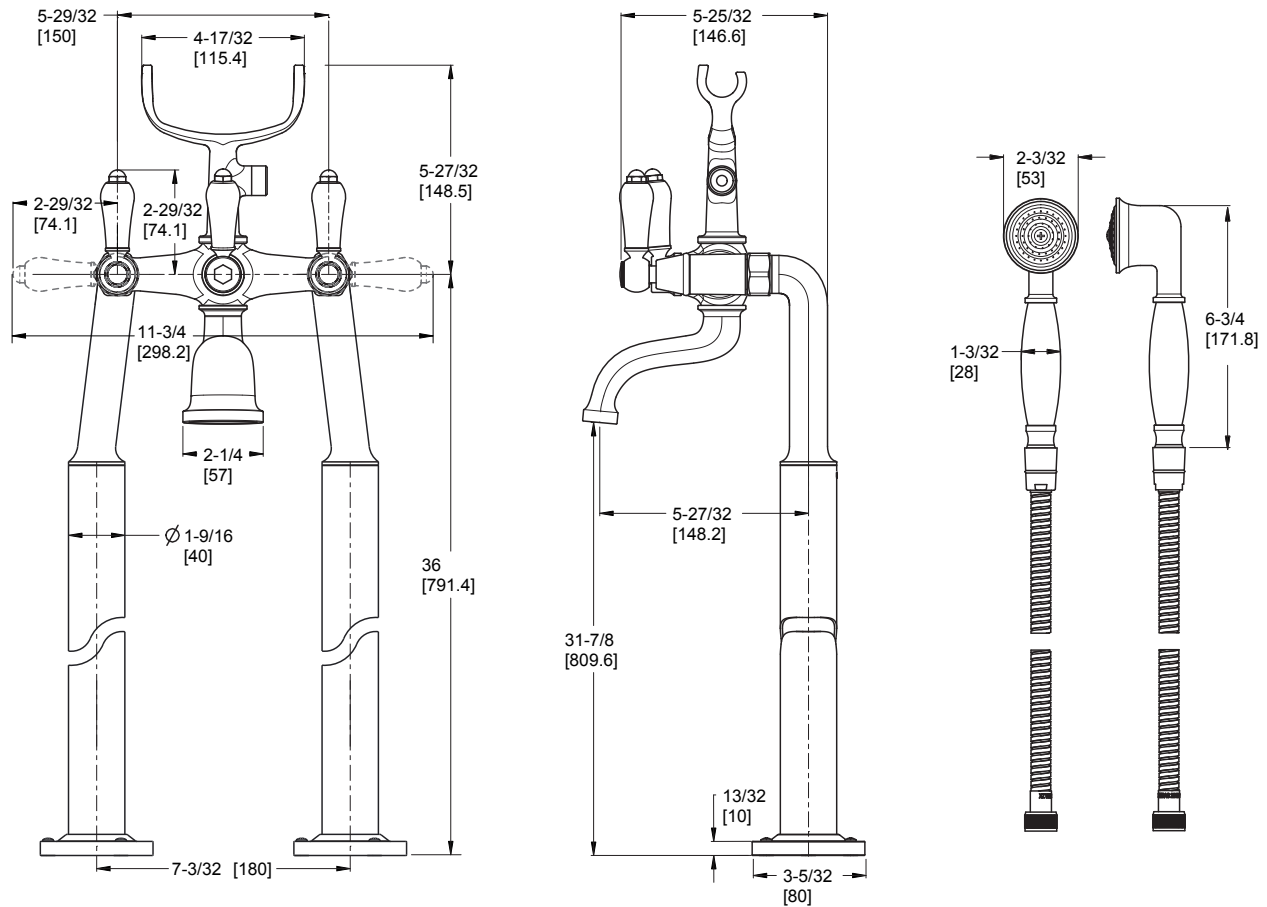
### Code Compliance

Pfister products are designed and manufactured in compliance with the following standards and codes:

- IAPMO Certified to ASME A112.18.1/CSA B125.1 including:
  - ASME A112.18.3 (Backflow Prevention)
- EPA WaterSense Certified
- CEC Certified/CALGreen compliant
- ADA Compliant - ANSI A117.1 (Lever Handles Only)



## Dimensions



Ø3-3/8Max. Deck Hole Openings