

Turner 30" Single Bowl Fireclay Farmhouse Sink

SINKOLOGY®

Model #SK404-30FC

30" x 18" x 8.5"

Features

- + The Turner is handcrafted to deliver the INSPIRE Collection to your kitchen in a slightly shallower farmhouse sink.
- + The Turner features a classic exposed apron-front design of a farmhouse-style sink. The flat, smooth surface extends from your counters and wraps around to create soft, curved exterior edges for a graceful centerpiece in your kitchen.
- + Offers a single bowl design to ensure you get all the benefits of a farmhouse sink without compromising the flow of your space.
- + The Sinkology SureFire® signature glaze serves as an extra-thick protective shield for your fireclay sink to lock in beauty and create a surface that is non-porous and thick for easy, on-the-go cleaning.
- + Guaranteed to not chip, crack, stain, or rust, and we back that promise with our exclusive Sinkology Everyday Promise® Lifetime Warranty.
- + Designed for easier farmhouse-style installation, featuring a level, flat bottom and 90-degree side walls for consistency with industry terms.



#SK404-30FC

Product Pairing Suggestions

Kitchen Sink Basket Strainer Drain

Antique Copper #TB35-01, Stainless #TB35-03

Kitchen Sink Disposal Flange

Antique Copper #TD35-01, Stainless #TD35-03

Kitchen Sink Bottom Grid

Wren Stainless Steel Grid #SG008-27ST

Johnson Antique Brown Grid #SG004-27

GridLogic Stainless Steel #SGL-PLT-ST

GridLogic Antique Brown #SGL-PLT

Fireclay Care IQ™ Kit

#SARMOR-401

About Sinkology

At Sinkology, we are on a mission to make unique, high-quality kitchen, bath and home décor products that inspire real people to find beauty in their homes and lives.

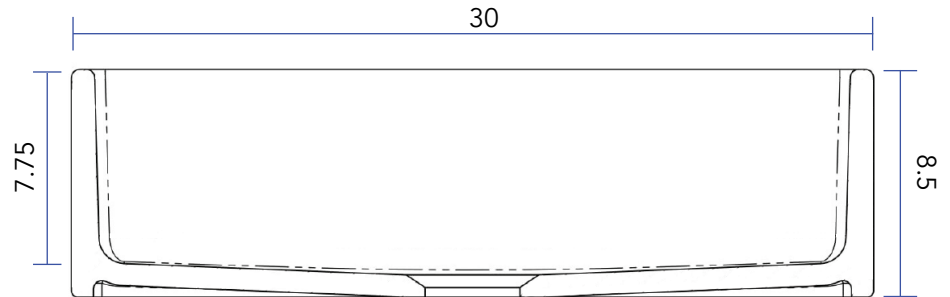
We believe that every project and every budget is worthy of beautiful products designed to last a lifetime—and that with the right information, every house can become the home of your dreams.

Turner 30" Single Bowl Fireclay Farmhouse Sink

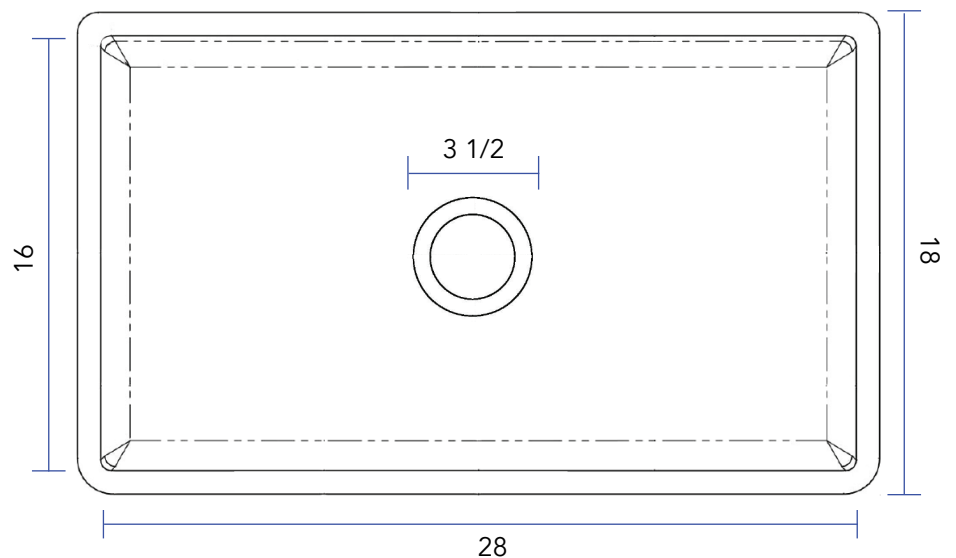
SINKOLOGY®

Technical Specifications

- + Outer - 30" x 18" x 8.5"
- + Inner - 28" x 16" x 7.75"
- + Weight - 75 lbs
- + Drain - 3.5" diameter
- + Cabinet Size - 33" minimum



FRONT VIEW: SMOOTH APRON



TOP VIEW

Lifetime Warranty

All Sinkology products come with our Everyday Promise Lifetime Warranty. You won't need it, but it's there.



CustomerService@Sinkology.com | 866.915.3003