

Kitchen Sink Disposal Flange with Stopper in Stainless Steel

SINKOLOGY®

Model #TD35-03

4.5" 4.5" x 2.5"

Keep your kitchen efficient and clean with the Sinkology 3.5" kitchen disposal flange. Designed with a solid stainless steel construction, our drain is compatible with most InSinkErator disposals. This kitchen sink drain is easy to install, simple to clean, and highly durable. The removable stopper keeps your kitchen sink versatile, and the stainless steel finish blends seamlessly with existing appliances and kitchen styles. Like all Sinkology products, the disposal drain is protected by our exclusive Everyday Promise lifetime guarantee.

Features

- + Easy to install
- + Fits standard kitchen sink drain holes
- + Removable post style basket strainer can be used to hold water
- + Durable stainless steel coordinates beautifully with a variety of matte and polished surfaces
- Specifically designed for use with InSinkErator garbage disposals
- Covered by Sinkology Everyday Promise lifetime guarantee



#TD35-03

About Sinkology

At Sinkology, we are on a mission to make unique, high-quality kitchen, bath and home décor products that inspire real people to find beauty in their homes and lives.

We believe that every project and every budget is worthy of beautiful products designed to last a lifetime—and that with the right information, every house can become the home of your dreams.

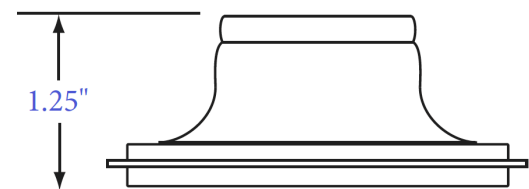
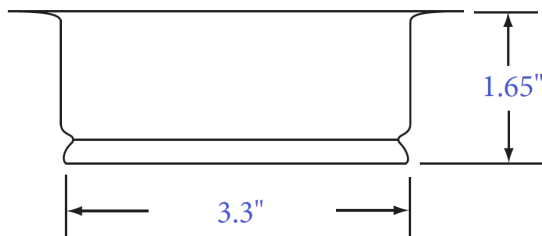
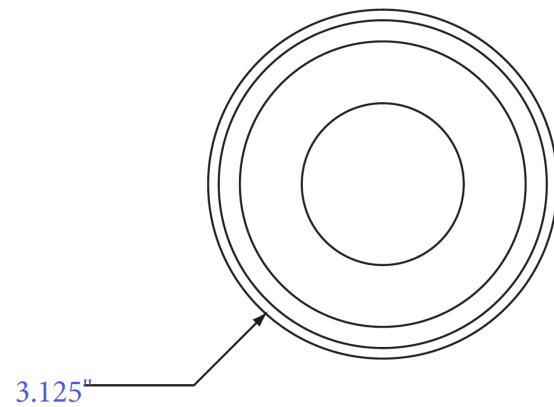
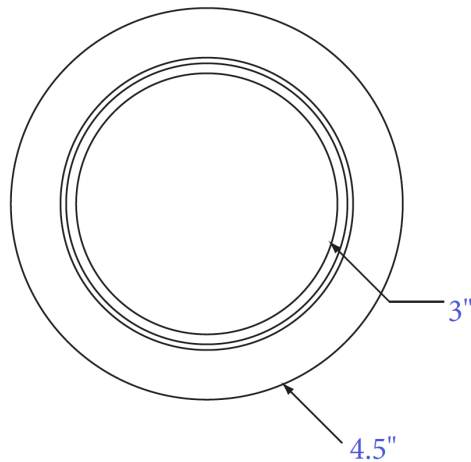
Kitchen Sink Disposal Flange with Stopper in Stainless Steel

SINKOLOGY®

Technical Specifications

+ Dimensions: 4.5" x 4.5" x 2.5"

+ Drain size: 3.5"



Lifetime Warranty

All Sinkology products come with our Everyday Promise Lifetime Warranty. You won't need it, but it's there.



CustomerService@Sinkology.com | 866.915.3003