

# Kitchen Sink Disposal Flange with Stopper in Antique Copper

SINKOLOGY®

**Model #TD35-01**

**4.5" 4.5" x 2.5"**

Sinkology's copper kitchen sink drains are beautiful and durable. Created with solid high-quality brass, our disposal flange comes with a removable stopper and is compatible with most InSinkErator disposals. Our drain is hand-finished in a beautiful antique copper finish and is a beautiful complement to your Sinkology copper kitchen sink. Sinkology products are built to last a lifetime, and our drain comes with our exclusive Everyday Promise lifetime guarantee.



#TD35-01

## Features

- + Easy to install
- + Fits standard kitchen sink drain holes
- + High-quality, long-lasting solid brass construction
- + Fits most InSinkErator garbage disposals
- + Expertly finished with an antique copper look
- + Designed for Sinkology kitchen copper sinks
- + Covered by Sinkology Everyday Promise lifetime guarantee

## About Sinkology

At Sinkology, we are on a mission to make unique, high-quality kitchen, bath and home décor products that inspire real people to find beauty in their homes and lives.

We believe that every project and every budget is worthy of beautiful products designed to last a lifetime—and that with the right information, every house can become the home of your dreams.

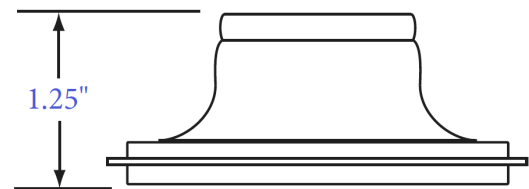
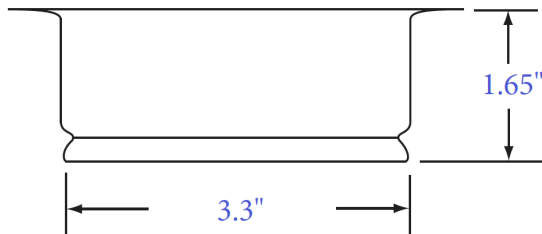
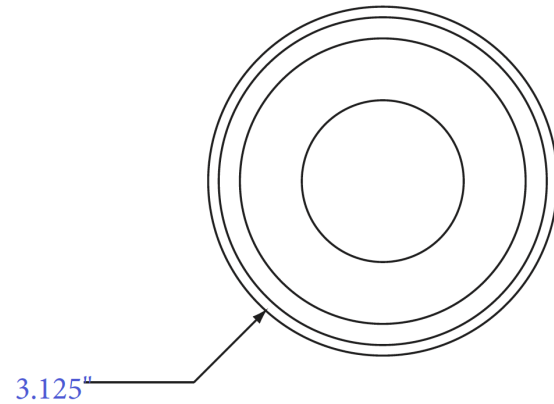
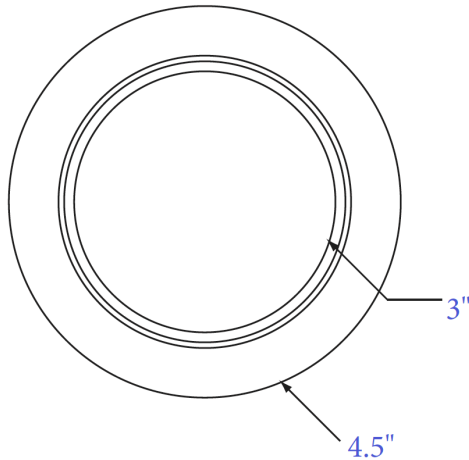
# Kitchen Sink Disposal Flange with Stopper in Antique Copper

SINKOLOGY®

## Technical Specifications

+ Dimensions: 4.5" x 4.5" x 2.5"

+ Drain size: 3.5"



## Lifetime Warranty

All Sinkology products come with our Everyday Promise Lifetime Warranty. You won't need it, but it's there.



CustomerService@Sinkology.com | 866.915.3003