

# Eden Undermount Fireclay Bar/Prep Sink

SINKOLOGY®

**Model #SP400-18FC**

**18" x 18.1" x 9"**

## Features

- + The Eden is crafted from highly durable fireclay material and creates the time-honored look of a classic kitchen sink while offering the functionality for busy modern homes.
- + The Eden is designed to bring beauty to small spaces like bar/prep areas, laundry rooms, tiny living spaces, and more.
- + Sinkology's SureFire® finish is applied to our AMPLIFY Collection of fireclay sinks to lock in durability and provide an additional layer of protection.
- + Sinkology's fireclay kitchen sinks are guaranteed not to chip, crack, stain or rust with proper indoor use.
- + The Eden single bowl, fireclay farmhouse kitchen sink comes backed with the Sinkology Everyday Promise lifetime warranty.
- + As an undermount sink, the Eden is handcrafted to install below counter level to create a seamless surface for visually clean lines and easy counter wipe-downs.



#SP400-18FC

## Product Pairing Suggestions

### Kitchen Sink Basket Strainer Drain

Antique Copper #TB35-01, Stainless #TB35-03

### Kitchen Sink Disposal Flange

Antique Copper #TD35-01, Stainless #TD35-03

### Fireclay Care IQ™ Kit

#SARMOR-401

## About Sinkology

At Sinkology, we are on a mission to make unique, high-quality kitchen, bath and home décor products that inspire real people to find beauty in their homes and lives.

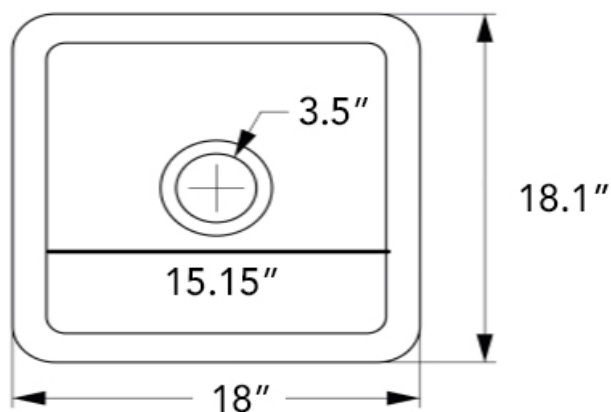
We believe that every project and every budget is worthy of beautiful products designed to last a lifetime—and that with the right information, every house can become the home of your dreams.

# Eden Undermount Fireclay Bar/Prep Sink

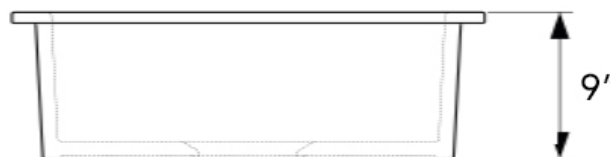
SINKOLOGY®

## Technical Specifications

- + Outer - 18" x 18.1" x 9"
- + Inner - 15" x 15.15" x 8"
- + Weight - 30 lbs
- + Drain - 3.5" diameter



TOP VIEW



SIDE VIEW

## Lifetime Warranty

All Sinkology products come with our Everyday Promise Lifetime Warranty. You won't need it, but it's there.



CustomerService@Sinkology.com | 866.915.3003